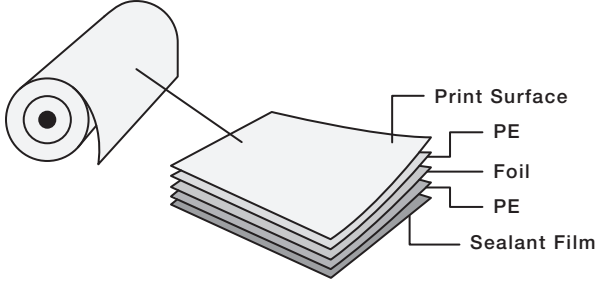
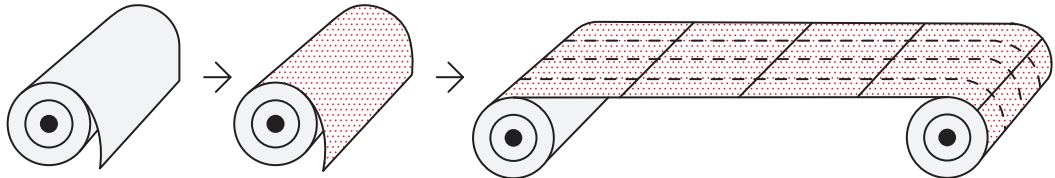
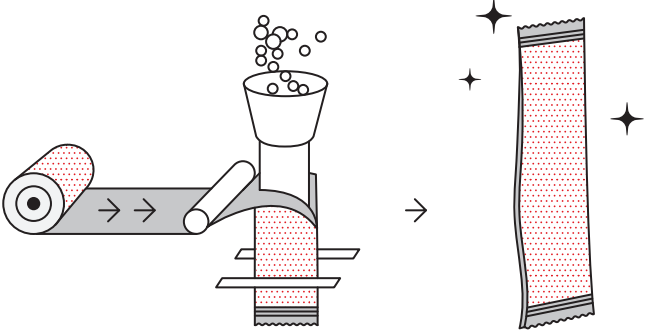


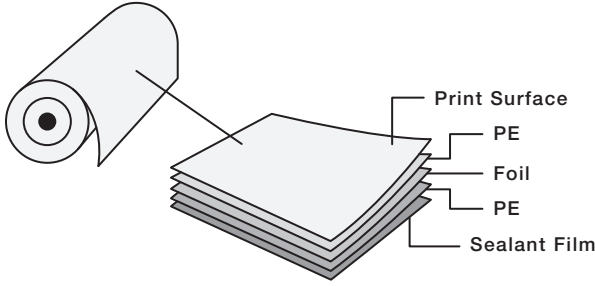
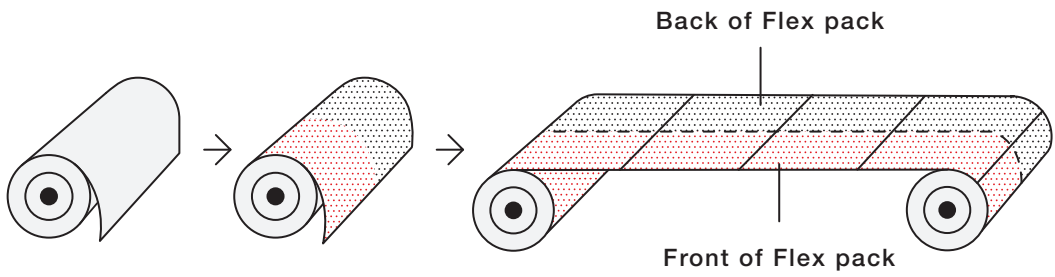
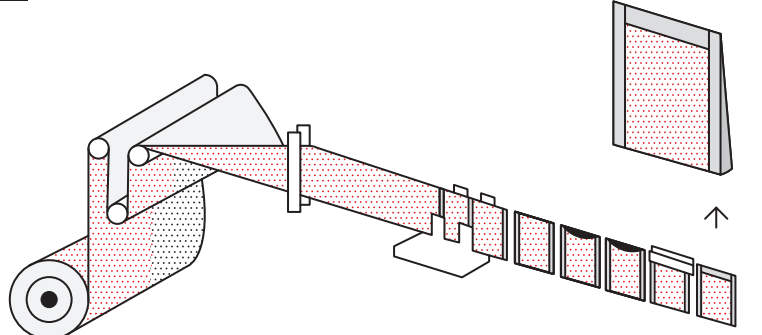
# Flexpack Value Chain



## Vertical Form-Fill-Seal

1 LABEL SUPPLIER	2 LABEL CONVERTER PRINTER	3 PACKAGERS
		
<p><b>Roll of flexible packaging material</b> Choose from paper, film-faced laminated pouches, single-ply barrier and heat seal films.</p>	<p><b>The flexible packaging material is surface printed</b> Material is printed still on a roll that will later be filled and sealed.</p>	<p><b>Flexible packaging material is unwound and formed into final package format</b> Packages are formed on form/fill/seal equipment.</p>

## Horizontal Form-Fill-Seal

1 LABEL SUPPLIER	2 LABEL CONVERTER PRINTER	3 PACKAGERS
		
<p><b>Roll of flexible packaging material</b> Choose from paper, film-faced laminated pouches, single-ply barrier and heat seal films.</p>	<p><b>The flexible packaging material is surface printed</b> Material is printed still on a roll that will later be filled and sealed.</p>	<p><b>Flexible packaging material is unwound and formed into final package format</b> Packages are formed on form/fill/seal equipment.</p>